



SONANCE<sup>®</sup>  
CABINET SUBWOOFER

---

INSTRUCTION MANUAL



# Important Safety Information

**IMPORTANT:** Read all of these instructions before you install or operate your subwoofer, and save these instructions for later use.

- 1. Read Instructions** — All these safety and operating instructions should be read before you operate the unit.
- 2. Retain Instructions** — These safety and operating instructions should be retained for future reference.
- 3. Heed Warnings** — All warnings on the unit and in the operating instructions should be adhered to.
- 4. Follow Instructions** — All operating and use instructions should be followed.
- 5. Water and Moisture** — The unit should not be used near water — for example, near a bathtub, washbowl, kitchen sink, laundry tub, in a wet basement, or near a swimming pool, and the like.
- 6. Carts and Stands** — The unit should be used only with a cart or stand that is recommended by the manufacturer.
  - A unit and cart combination should be moved with care. Quick stops, excessive force, and uneven surfaces may cause the unit and cart combination to overturn.
- 7. CAUTION: To prevent electric shock, do not use the subwoofer's polarized plug with an extension cord, receptacle, or other outlets unless the blades can be fully inserted to prevent blade exposure.**
- 8. Ventilation** — The unit should be situated so that its location or position does not interfere with its proper ventilation. For example, the unit should not be situated on a bed, sofa, rug, or similar surface that may block the ventilation openings; or be placed in a built-in installation, such as a bookcase or cabinet, that may impede the flow of air through the ventilation openings.
- 9. Heat** — The unit should be situated away from heat sources such as radiators, heat registers, stoves, or other appliances (including other audio components) that produce heat.
- 10. Power Sources** — The unit should be connected to a power supply only of the type described in the operating instructions or as marked on the unit.
- 11. Grounding or Polarization** — Precautions should be taken so that the grounding or polarization means of the unit is not defeated.
- 12. Power Cord Protection** — Power supply cords should be routed so that they are not likely to be walked on or pinched by items placed upon or against them, paying particular attention to cords at plugs, convenience receptacles, and the point where they exit from the controller.
- 13. Cleaning** — The unit should be cleaned only as recommended by the manufacturer.
- 14. Non-Use Periods** — The power cord of the unit should be unplugged from the outlet when left unused for a long period of time.
- 15. Object and Liquid Entry** — Care should be taken so that objects do not fall and liquids are not spilled into the enclosure through openings.
- 16. Damage Requiring Service** — The unit should be serviced by qualified service personnel when:
  - a. The power-supply cord or the plug has been damaged; or
  - b. Objects have fallen or liquid has been spilled into the unit; or
  - c. The unit has been exposed to rain; or
  - d. The unit does not appear to operate normally or exhibits a marked change in performance; or
  - e. The unit has been dropped or the enclosure damaged.
- 17. Servicing** — The user should not attempt to service the unit beyond that described in the operating instructions. All other servicing should be referred to qualified service personnel.



**CAUTION:** TO REDUCE THE RISK OF ELECTRIC SHOCK, DO NOT REMOVE COVER OR BACK. NO USER-SERVICEABLE PARTS INSIDE. REFER SERVICING TO AUTHORIZED SERVICE PERSONNEL.

**WARNING:** TO PREVENT FIRE OR SHOCK HAZARD, DO NOT EXPOSE THIS APPLIANCE TO RAIN OR MOISTURE. THE APPLIANCE SHALL NOT BE EXPOSED TO DRIPPING OR SPLASHING. NO OBJECTS FILLED WITH LIQUIDS SHALL BE PLACED ON THE APPLIANCE.



The lightning flash with arrowhead symbol, within an equilateral triangle, is intended to alert the user to the presence of uninsulated dangerous voltage within the product's enclosure that may be of sufficient magnitude to constitute a risk of electric shock to persons.



The exclamation point within an equilateral triangle is intended to alert the user to the presence of important operating and maintenance (servicing) instructions in the literature accompanying the appliance.

## Introduction

Thank you for purchasing a Sonance Cabinet Subwoofer. When properly installed your new subwoofer will add a solid deep bass foundation to all your audio/video entertainment. This manual will teach you all about your new subwoofer's many innovative features and will show you how to get the very best performance from it. Please read it thoroughly.

Since all Sonance Cabinet Subwoofers have identical installation requirements, the directions in this manual apply to each model in the series. This manual covers these subwoofer models: Sub 12-250, Sub 10-150, Sub 8-100.

## Design and Features

Your new Sonance Cabinet Subwoofer delivers powerful, low-distortion bass, and easily blends with your room's décor. The anodized aluminum woofer cone and heavily-braced sealed enclosure deliver room-shaking bass from a small cabinet that gives you lots of installation options. The front-mounted controls and recessed amplifier panel let you tuck your subwoofer away under a shelf or install it flush with a wall or cabinet front.



Figure 1:  
Sonance Sub 10-150  
Cabinet Subwoofer

### Features:

- **The anodized aluminum woofer cone has very low moving mass and excellent rigidity.**
- **The woofer's extra long-throw voice coil allows linear excursion for low-distortion performance up to maximum amplifier power.**
- **The sealed, heavily-braced enclosure delivers tight, well-defined bass performance.**
- **An exclusive 1/2" MDF / 1/2" particle board laminate cabinet material offers superior stiffness and resonance damping that smooths bass performance.**
- **Front-mounted controls allow easy access wherever the subwoofer is installed.**
- **The recessed amplifier and flush-mounted grille allow installation flush with walls or cabinets.**
- **Auto-ON operation.**

## Box Contents

Your Sonance Cabinet Subwoofer box should contain the following items:

- (1) Sonance Cabinet Subwoofer
- (4) Rubber feet and screws
- (4) Metal spikes
- (1) IEC Power Cord (115V versions only)

### Subwoofer Placement

As with any speaker, your Sonance Cabinet Subwoofer's performance will be influenced by its placement in your listening room. However, since our ears don't hear directional sound at deep bass frequencies, your subwoofer's placement is not as critical to its overall performance as is the placement of your system's other speakers. Therefore, your subwoofer will deliver superior performance from a wide variety of room locations. The following guidelines — plus some experimentation — will help you get the very best performance possible from your subwoofer in your listening room.

Placing the subwoofer as close as possible to the same plane as your main (left & right) speakers will help your subwoofer's sound properly blend with the sound from your main speakers, creating a solid, integrated soundstage that enhances the impact of music and films. We suggest starting with the subwoofer in line with your left & right speakers, somewhere between either speaker and the side wall (see *Figure 1*).

Your subwoofer's location relative to walls will influence the amount of bass it produces — placing the subwoofer next to a wall will increase bass output; placing it in a corner will maximize its bass output. However, corner placement can increase standing waves in the room (peaks and dips in bass response related to the room's dimensions) that can make the subwoofer's bass performance sound uneven at different

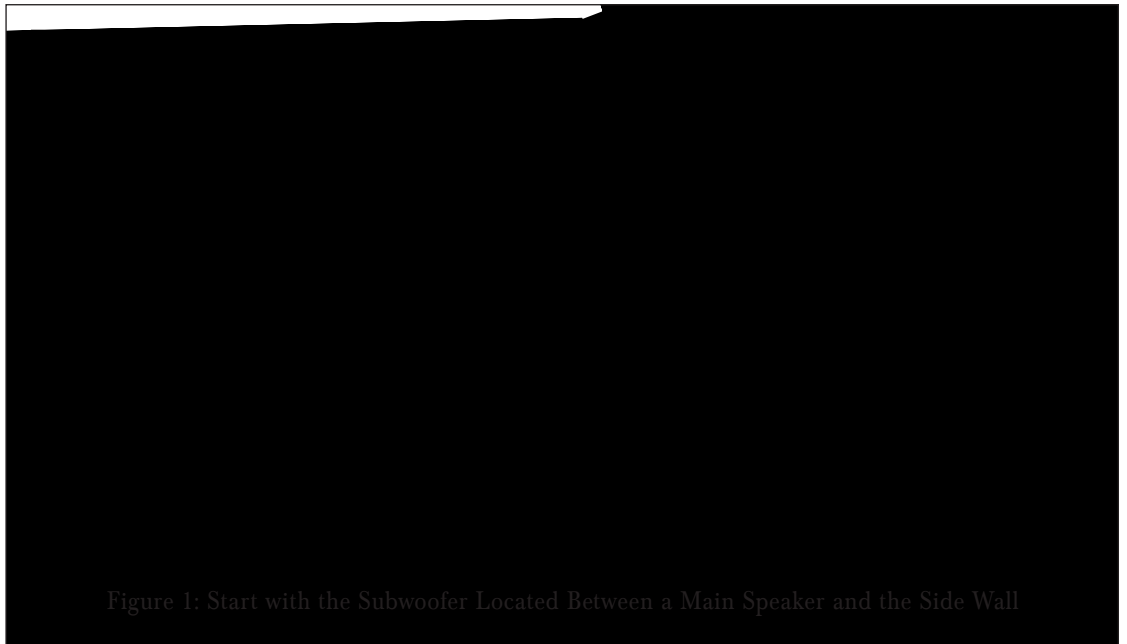


Figure 1: Start with the Subwoofer Located Between a Main Speaker and the Side Wall

listening locations. Experiment with different subwoofer locations until you find one that produces strong bass that sounds clear (without boominess) at the seating locations while maintaining the sound's impact. Your local authorized Sonance dealer is an expert in audio/video system planning and installation. We strongly recommend that you work with your dealer to ensure that you get the best performance possible from your subwoofer.

*NOTE: These subwoofers can produce enough bass energy to cause objects in the room to rattle or buzz during passages with very strong bass. If this happens, try relocating the items. If that fails to stop the rattling you may have to remove the items.*

## Installing the Subwoofer Flush in a Wall or Cabinet

Your subwoofer's flush grille and recessed amplifier panel let you install it flush with a wall or cabinet surface for a clean, uncluttered appearance. To allow for proper ventilation when installing the subwoofer this way, leave at least 1" of clearance around the top and sides of the subwoofer, and 1" of clearance behind it. If it is not possible to provide the necessary clearance install a fan that will bring cooling air into the rear of the compartment containing the subwoofer.

## Attaching the Spikes

Your subwoofer comes with a set of rubber feet installed for use on wood or other hard floor surfaces, and also includes a set of metal spikes for use on carpeting.

To attach the spikes, use a screwdriver to remove the rubber feet and screw the spikes into the threaded inserts (see Figure 2). Once installed, the height of the spikes can be adjusted so the subwoofer will sit level on an uneven floor.

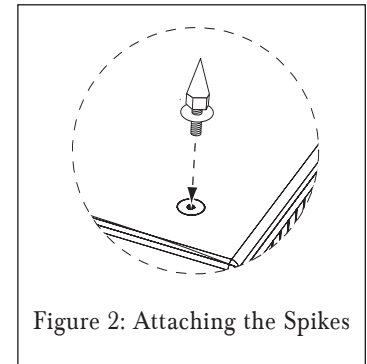


Figure 2: Attaching the Spikes

## Subwoofer Rear Panels

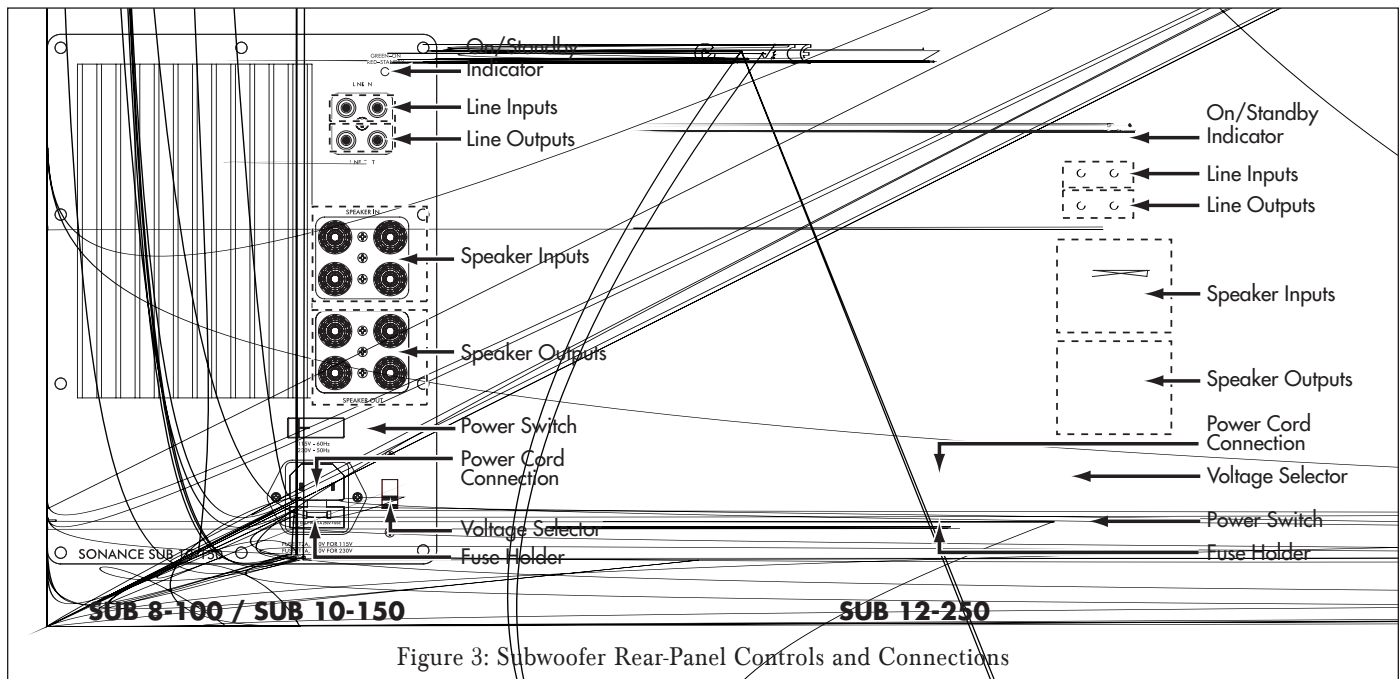


Figure 3: Subwoofer Rear-Panel Controls and Connections

## Voltage Selector

Sonance Cabinet Subwoofers are equipped with a Voltage Selector switch that is factory-set to the proper position for the country where the subwoofer is sold. Subwoofers sold in the United States are set for 115V operation; subwoofers sold in other countries are set for 230V operation. The subwoofer's proper operating voltage is shown on the switch itself (see *Figure 4*).

The Voltage Selector switch is not user-selectable, and has a plastic cover to prevent its being accidentally changed. If you need to operate your subwoofer on an AC voltage that is different from the one showing on the switch contact your Authorized Sonance Dealer or Service Center.

## Replacing the AC Fuse

Your subwoofer is factory-equipped with the following AC fuse:

### 115V Version:

Sub 12-250 — **5A, 250V slo-blo**; Sub 10-150 and Sub 8-100 — **2A, 250V slo-blo**

### 230V Version:

Sub 12-250 — **2.5A, 250V slo-blo**; Sub 10-150 and Sub 8-100 — **1A, 250V slo-blo**

To replace the fuse, unplug the power cord from the Power Cord Connector and use a screwdriver to remove the fuse holder (see *Figure 5*).

**CAUTION: FOR CONTINUED PROTECTION AGAINST FIRE, REPLACE THE FUSE WITH ONLY THE SAME TYPE AND RATING.**

## Subwoofer Connections

### Power Connection

Your Sonance Cabinet Subwoofer features a removable IEC power connector (see *Figure 5*). (A power cord is included only with 115V versions of the subwoofers.) Plug the female end of the power cord into the Power Cord Connector on the subwoofer's rear panel and plug the male end into a grounded wall socket. Do NOT plug the subwoofer's power cord into a convenience outlet on any other audio or video component.

**IMPORTANT: Do not plug the power cord into the wall outlet until all system connections have been made and verified.**

*NOTE: If you need to use an extension cord, use only a heavy-duty (14-gauge or larger) extension cord to avoid starving the subwoofer of all the current necessary for full-power operation.*

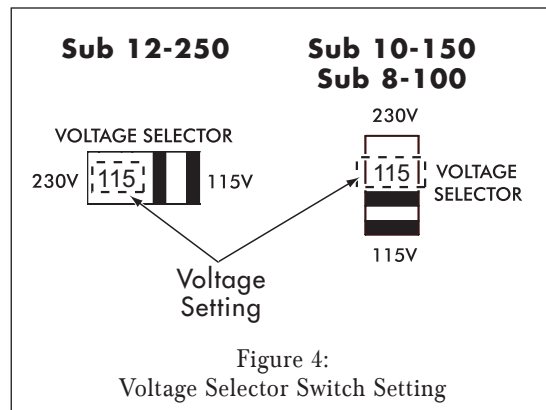


Figure 4:  
Voltage Selector Switch Setting

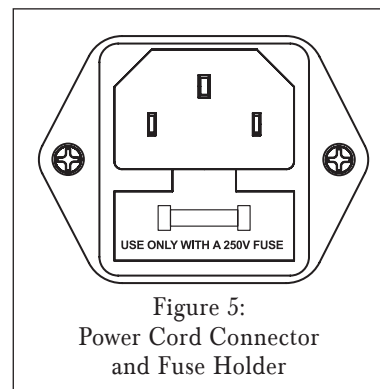


Figure 5:  
Power Cord Connector  
and Fuse Holder

## Audio Connections

Your Sonance Cabinet Subwoofer has flexible connections that let you use it in a wide variety of audio system configurations. You can connect the subwoofer's Line Inputs to a surround processor or receiver's line-level dedicated subwoofer output or a stereo preamp/integrated amp's left & right main outputs. The subwoofer's Speaker Inputs can be connected to the speaker outputs of a receiver or integrated amp that doesn't have left & right line-level outputs or a dedicated subwoofer output.

The subwoofer has a pair of LINE OUTPUTS that feed the signal to a main speaker power amplifier when the subwoofer is being fed by a stereo preamp's main outputs. The subwoofer's Speaker Outputs feed a pair of main speakers when the subwoofer is being fed by a receiver or power amp's speaker outputs. The subwoofer's Line Outputs and Speaker Outputs are both high-pass filtered at 100Hz, 6dB/octave. This high-pass filter is not defeatable.

### Connecting Cables

Sonance recommends using high-quality audio cables such as Sonance MediaLinQ® Bronze to connect to the subwoofer's LINE INPUTS and LINE OUTPUTS. To minimize noise interference on cable runs longer than 20 feet we recommend converting the audio signal to balanced configuration with the Sonance LS2 Balanced Line Sender and back to unbalanced configuration with the Sonance LR2 Balanced Line Receiver.

When using the subwoofer's Speaker Inputs and Speaker Outputs we recommend the following minimum speaker wire sizes:

- 14 gauge for a total wire length up to 30 feet
- 12 gauge for a total wire length from 30 feet to 75 feet
- 10 gauge for a total wire length longer than 75 feet

To determine the total wire length, add the lengths of wire between the amplifier and subwoofer and between the subwoofer and the main speakers.

### Connection Examples (see pages 9 – 10)

Follow the connection example that best describes your audio system. The examples are listed in descending order of preference, with the most ideal method presented first. If you can connect the subwoofer to your system using more than one of the following methods, use the one that appears first unless the placement of the subwoofer and your main speakers requires that you use a different method.

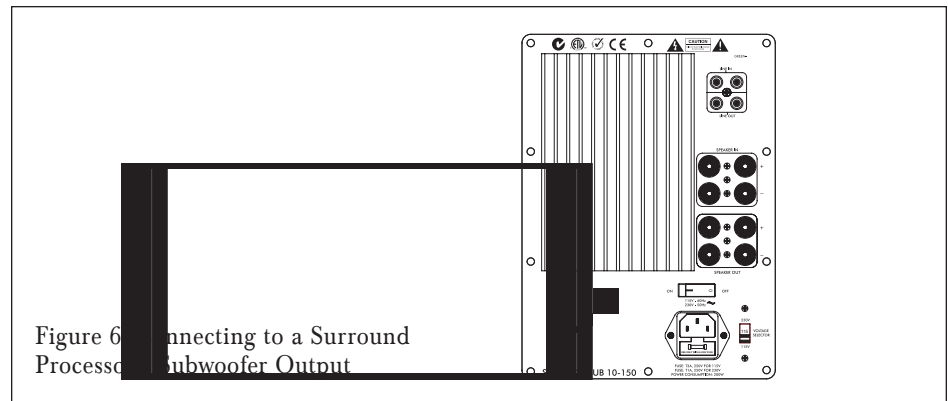
**IMPORTANT: Do NOT connect the subwoofer's Line Inputs and Speaker Inputs at the same time under any conditions.**



## SONANCE CABINET SUBWOOFERS

1. **Surround sound processor, surround sound receiver or stereo preamp with a dedicated Subwoofer Output (see Figure 6):**

Connect the processor's dedicated Subwoofer Output to one of the subwoofer's LINE INPUT jacks (you can use either jack). If you are installing two subwoofers in the system use a 'Y' connector to connect both subwoofers to the processor's Subwoofer Output.

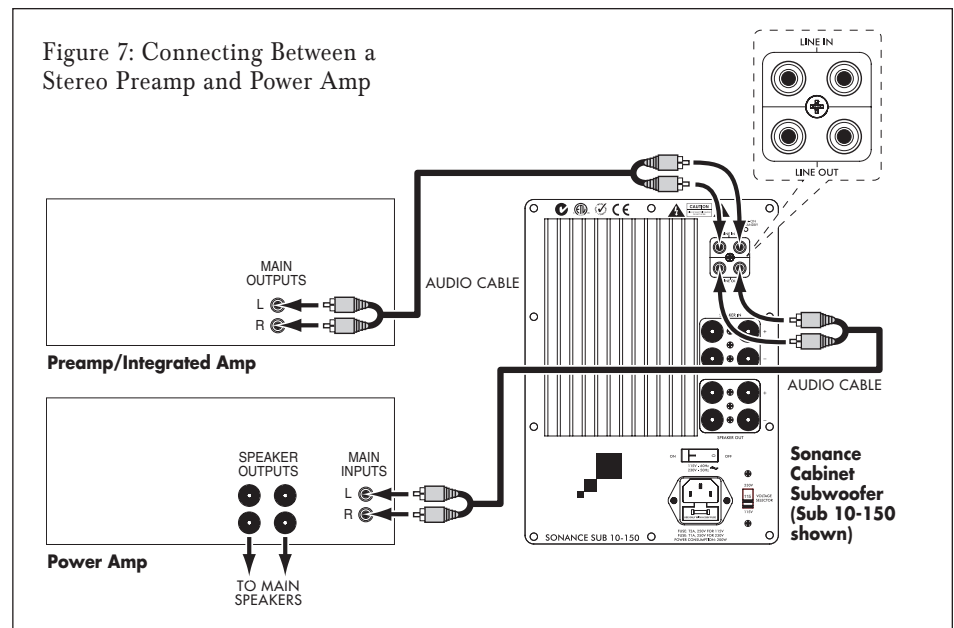


2. **Stereo preamp/power amp combination, or an integrated amplifier with Pre Out and Main (Amp) In jacks (see Figure 7):**

Connect the preamp/integrated amp's left & right Main Outputs to the both of the subwoofer's LINE INPUT jacks. Use another set of cables to connect the subwoofer's LINE OUTPUT jacks to the power amp/integrated amp's left & right Main (Amp) Inputs.

If you are installing two subwoofers, connect the preamp/integrated amplifier's left Main Output to the left LINE INPUT jack of one subwoofer, and connect that subwoofer's right LINE OUTPUT jack to the power amp/integrated amplifier's left Main (Amp) Input. Connect the preamp/integrated amplifier's right Main Output to the right LINE INPUT jack of the other subwoofer and connect that subwoofer's right LINE OUTPUT

jack to the power amp/integrated amplifier's right Main (Amp) Input.



**3. Integrated amplifier with left & right line-level outputs but no Main In or Amp In jacks (see Figure 8):**

Use a stereo audio cable to connect the integrated amplifier's left and right Line Outputs to the subwoofer's left and right LINE INPUT jacks. If you're installing two subwoofers in the system, connect the integrated amp's left Line Output to one subwoofer's left LINE INPUT jack and connect the integrated amp's right Line Output to the other subwoofer's right LINE INPUT jack.

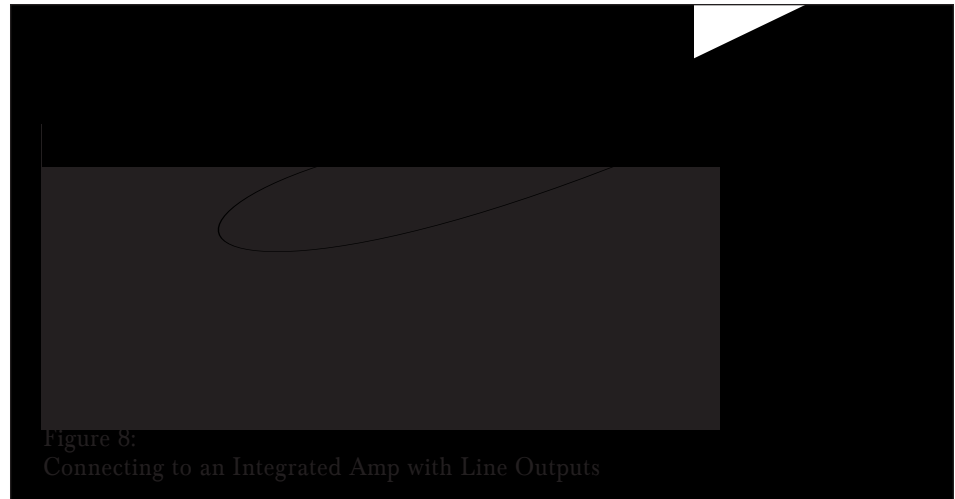


Figure 8:  
Connecting to an Integrated Amp with Line Outputs

**4. Receiver or integrated amplifier with no line-level outputs (see Figure 9):**

Use speaker wire to connect the receiver/ integrated amplifier's left and right speaker outputs to the subwoofer's left and right SPEAKER INPUTS. Use additional lengths of speaker wire to connect the subwoofer's left and right SPEAKER OUTPUTS to the left and right main speakers.

If you are installing two subwoofers in the system, use a length of speaker wire to connect the receiver/ integrated amplifier's left Speaker Output to the left SPEAKER INPUT of one subwoofer, and use another length of speaker wire to connect that subwoofer's right SPEAKER OUTPUT to the left main speaker. Use another length of speaker wire to connect the receiver/ integrated amplifier's right Speaker Output to the right SPEAKER INPUT of the other subwoofer and another length of speaker wire to connect that subwoofer's right SPEAKER OUTPUT to the right main speaker.

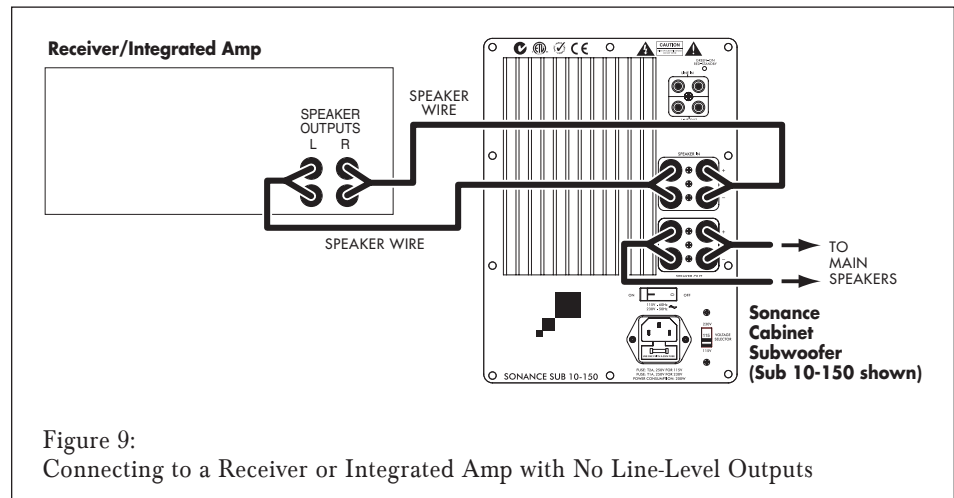


Figure 9:  
Connecting to a Receiver or Integrated Amp with No Line-Level Outputs

## Subwoofer Adjustments (see Figure 10)

### Bypass Switch

The BYPASS switch bypasses the subwoofer's internal crossover network (XOVER control) and the subwoofer's LEVEL control.

If you have connected the subwoofer to a surround processor's dedicated Subwoofer Output (*Connection Example #1*, on page 9), set the BYPASS switch to the ON position. All of the system's subwoofer crossover and volume functions will be handled by the surround processor's internal subwoofer crossover. Refer to your surround processor's documentation for information about adjusting your subwoofer's volume.

If you have connected your subwoofer to your preamplifier's Line Outputs or using the subwoofer's SPEAKER INPUTS, set the BYPASS switch to the OFF position. The subwoofer's XOVER and LEVEL controls will function (see below).

### Xover (Crossover) Control

The XOVER control adjusts the subwoofer's internal crossover between 50Hz and 250Hz. The crossover's slope is 18dB/octave. The higher you set the XOVER control the higher in frequency the subwoofer will operate.

Use the XOVER control to achieve a smooth transition of bass frequencies between the subwoofer and your main speakers. Generally, the XOVER control should be set at a lower frequency if your main speakers have larger woofers, and should be set at a higher frequency if your main speakers have smaller woofers.

When setting the XOVER control by ear, listen for the smoothness of the bass. If the bass seems too strong at certain frequencies (especially if your main speakers have larger woofers), try lowering the XOVER control setting; if the bass seems too weak at certain frequencies (especially if your main speakers have smaller woofers) try raising the XOVER control setting.

Ideally, the XOVER control should be set to the frequency where your main speakers' low-frequency response roll-off is -3dB. However, this is usually impossible to determine without sophisticated test equipment since each listening room has a different influence on your main speakers' bass performance.

*NOTE: The XOVER control does not function when the BYPASS switch is in the ON position.*

### Phase Switch

When the subwoofer's PHASE switch is in the 0 position, a positive input voltage will cause the woofer cone to move out (towards the room). When the PHASE switch is in the 180 position a positive input voltage will cause the woofer cone to move in (away from the room).

There is no absolute correct setting for the PHASE switch. Depending on the location of the subwoofer relative to your main speakers and seating location, one of the settings will produce a better match with the main speakers, improving bass impact and in some cases, improving overall bass level as well.

(continued on page 12)

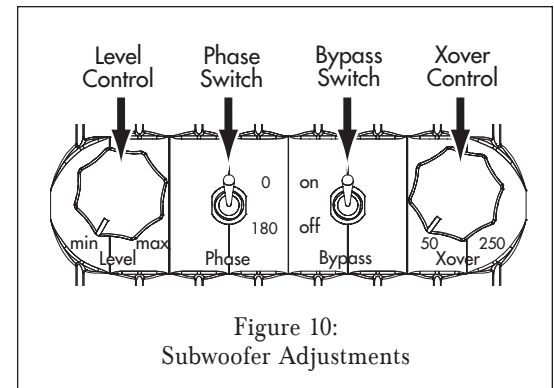


Figure 10:  
Subwoofer Adjustments

(continued from page 11)

To determine the correct setting of the PHASE switch, listen to music with significant impactful bass content with the switch in each position (it may be helpful to sit in the normal listening position while someone else changes the PHASE switch between 0 and 180). Leave the switch in the position that produces audibly louder bass with more impact.

*NOTE: The PHASE switch will function no matter what position the BYPASS switch is set in.*

## Level Control

The LEVEL control sets the subwoofer's volume. When setting the subwoofer's LEVEL control by ear, try to find a volume setting where the bass sounds balanced on both music and films. Listen to several different music recordings and film soundtracks that contain strong bass passages and try to find a setting for the LEVEL control that doesn't over-emphasize the bass or make it sound weak.

The most accurate way to set the LEVEL control is with calibrated test noise or test tones and a sound-pressure level (SPL) meter or real-time analyzer. There are several CDs and DVDs that contain subwoofer test signals. If you use an SPL meter, set the subwoofer's LEVEL control so that it plays at the same volume as the system's other speakers.

*NOTE: The LEVEL control does not function when the BYPASS switch is in the ON position.*

## Auto-On

The subwoofer is in the STANDBY mode whenever its power cord is plugged-into a live AC outlet. When the subwoofer detects an audio signal at either the LINE or SPEAKER INPUT it will automatically turn ON (the rear-panel On/Standby Indicator will illuminate *Green*). The subwoofer will continue to remain ON for approximately 30 minutes after no signal is detected at either input, then it will return to STANDBY (the rear-panel On/Standby Indicator will illuminate *Red*).

## Grille Pull Strap

Your subwoofer's flush-mount grille has a pull strap that makes it easy to remove the grille to perform adjustments. Once your subwoofer been installed and you have finalized all of the adjustments, for a neater appearance you can tuck the grille pull strap behind the grille before putting the grille back on the subwoofer. After that you can still remove the grille by using a dull knife or similar tool to gently pry the grille away from the subwoofer.

## SONANCE CABINET SUBWOOFERS

### Specifications

#### Sub 12-250

Woofers:	12" (305mm) Anodized aluminum cone with a rubber surround
Frequency Response:	22Hz – 250Hz ±3dB
Amplifier Power:	250 Watts
Crossover Frequency:	50Hz ~ 250Hz (adjustable), 18dB/octave
Inputs:	Line-level and speaker-level
Outputs:	Line-level and speaker level (high-pass filtered at 100Hz, 6dB/octave)
Grille Material:	Black cloth
Cabinet Finish:	High-gloss black paint
Adjustments:	Front-accessible level, crossover, phase and bypass
Dimensions (W x H x D):	15" x 18" x 16" (381mm x 457mm x 406mm)
Shipping Weight	70 lbs. (31.5kg)

#### Sub 10-150

Woofers:	10" (254mm) Anodized aluminum cone with a rubber surround
Frequency Response:	28Hz – 250Hz ±3dB
Amplifier:	150 Watts
Crossover Frequency:	50Hz ~ 250Hz (adjustable), 18dB/octave
Inputs:	Line-level and speaker-level
Outputs:	Line-level and speaker level (high-pass filtered at 100Hz, 6dB/octave)
Grille Material:	Black cloth
Cabinet Finish:	High-gloss black paint
Adjustments:	Front-accessible level, crossover, phase and bypass
Dimensions (W x H x D):	14" x 16" x 14" (355mm x 406mm x 355mm)
Shipping Weight:	60 lbs. (27kg)

#### Sub 8-100

Woofers:	8" (203mm) Anodized aluminum cone with a rubber surround
Frequency Response:	35Hz – 250Hz ±3dB
Amplifier:	100 Watts
Crossover Frequency:	50Hz ~ 250Hz (adjustable), 18dB/octave
Inputs:	Line-level and speaker-level
Outputs:	Line-level and speaker level (high-pass filtered at 100Hz, 6dB/octave)
Grille Material:	Black cloth
Cabinet Finish:	High-gloss black paint
Adjustments:	Front-accessible level, crossover, phase and bypass
Dimensions (W x H x D):	12" x 14" x 12" (305mm x 355mm x 305mm)
Shipping Weight:	40 lbs. (18kg)

## Technical Assistance and Service

If you have any questions about the operation or installation of this product, please call our Technical Assistance Department on any business day at (800) 582-0772 or (949) 492-7777; from 7 a.m. to 5 p.m., PST.

If your subwoofer should need repair or service, contact your Sonance Authorized Dealer for help, or use the following procedure:

1. Prior to calling Sonance, note the product's model number, serial number, purchase date, and the name and address of the dealer where you purchased the product.
2. Contact our Technical Assistance Department at the above number(s) and describe the problem the unit is experiencing. If applicable, they will issue a Return Authorization Number.

**IMPORTANT: You must have prior authorization to return your subwoofer to Sonance.**

3. If you're directed to return the unit to Sonance for repair, pack the unit in its original shipping carton. If needed, you can obtain replacement packaging from us for a small charge. Note: it is best if you place the box into an additional outer "overcarton" before shipment to minimize a chance of theft in shipment. Please include a copy of the original bill of sale inside the package.
4. Contact a package delivery company such as United Parcel Service or Federal Express to arrange prepaid (not collect) shipping. Do not use the U.S. Postal Service.

**IMPORTANT: Freight collect shipments will be refused.**

**5. Write the Return Authorization Number on the outside of the shipping carton.**

6. Ship the packaged unit to:

Quality Assurance Department  
Sonance  
212 Avenida Fabricante  
San Clemente, CA 92672-7531

### Limited Warranty Coverage (U.S. Only)

**Sonance warrants to the original retail purchaser only that this Sonance product will be free from defects in materials and workmanship for a period of five (5) years, provided the speaker was purchased from a Sonance Authorized Dealer.**

Defective products must be shipped, together with proof of purchase, prepaid insured to the Authorized Sonance Dealer from whom they were purchased, or to the Sonance factory at the address listed on this instruction manual. Freight collect shipments will be refused. It is preferable to ship this product in the original shipping container to lessen the chance of transit damage. In any case, the risk or loss or damage in transit is to be borne by the purchaser. If upon examination at the factory or Authorized Sonance Dealer it is determined that the unit was defective in materials or workmanship at any time during this warranty period, Sonance or the Authorized Sonance Dealer will, at its option, repair or replace this product at no additional charge, except as set forth below. If this model is no longer available and can not be repaired effectively, Sonance, at its sole option, may replace the unit with a current model of equal or greater value. In some cases where a new model is substituted, a modification to the mounting surface may be required. If mounting surface modification is required, Sonance assumes no responsibility or liability for such modification. All replaced parts and product become the property of Sonance. Products replaced or repaired under this warranty will be returned to the original retail purchaser, within a reasonable time, freight prepaid.

This Warranty does not include service or parts to repair damage caused by accident, disaster, misuse, abuse, negligence, inadequate packing or shipping procedures, commercial use, voltage inputs in excess of the rated maximum of the unit, or service, repair or modification of the product which has not been authorized or approved by Sonance. This Warranty also excludes normal cosmetic deterioration caused by environmental conditions. This Warranty will be void if the serial number on the product has been removed, tampered-with or defaced. This Warranty is in lieu of all other expressed warranties. If the product is defective in materials or workmanship as warranted above, the purchaser's sole remedy shall be repair or replacement as provided above. In no event will Sonance be liable for any incidental or consequential damages arising out of the use or inability to use the product, even if Sonance or an Authorized Sonance Dealer has been advised of the possibility of such damages, or for any claim by any other party.

Some states do not allow the exclusion or limitation of consequential damages, so the above limitation and exclusion may not apply. All implied warranties on the product are limited to the duration of this expressed Warranty. Some states do not allow limitation on the length of an implied warranty. If the original retail purchaser resides in such a state, this limitation does not apply.

### EXCLUSIONS AND LIMITATIONS

The warranty set forth above is in lieu of all other warranties, express or implied, of merchantability, fitness for a particular purpose, or otherwise. The warranty is limited to Sonance products registered herein and specifically excludes any damage to loudspeakers and other allied or associated equipment which may result for any reason from use with this product. Sonance shall, in no event, be liable for incidental or consequential damages arising from any breach of this warranty or otherwise. This warranty gives you specific legal rights, and you may have other rights which vary from state to state.

Notes:



## SONANCE CABINET SUBWOOFERS

**Notes:**

Notes:





# SONANCE®

©2006 Sonance. All rights reserved. Sonance and MediaLinQ are registered trademarks of Dana Innovations.

Due to continuous product improvement, all features and specifications are subject to change without notice.

For the latest Sonance product specification information visit our website: [www.sonance.com](http://www.sonance.com)

SONANCE • 212 Avenida Fabricante • San Clemente, CA 92672-7531 USA • (800) 582-7777 or (949) 492-7777  
FAX: (949) 361-5151 • Technical Support: (800) 582-0772

**[www.sonance.com](http://www.sonance.com)**